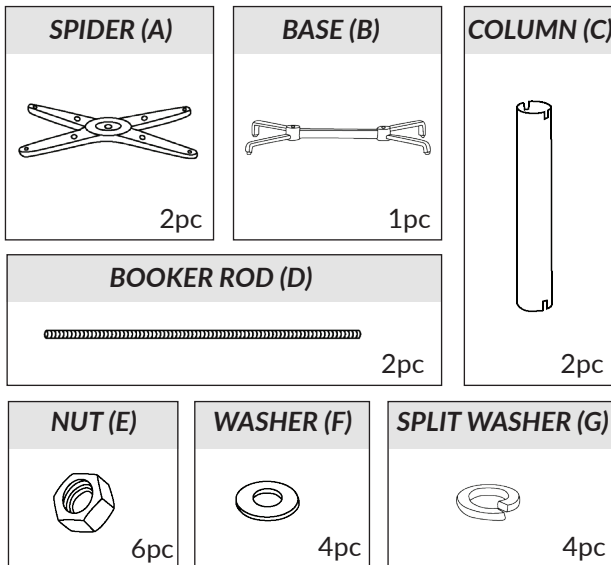


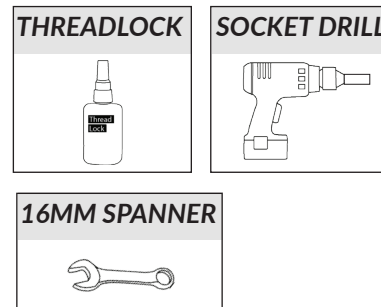
KOBE 2 WAY

Table Base

PARTS:



TOOLS (NOT INCLUDED):



We strongly recommend applying thread lock to ends of the booker rod and using a socket drill.

WARNING:

Always take care with a socket drill, especially when screwing into the spider (cross member).

INSTRUCTIONS:

